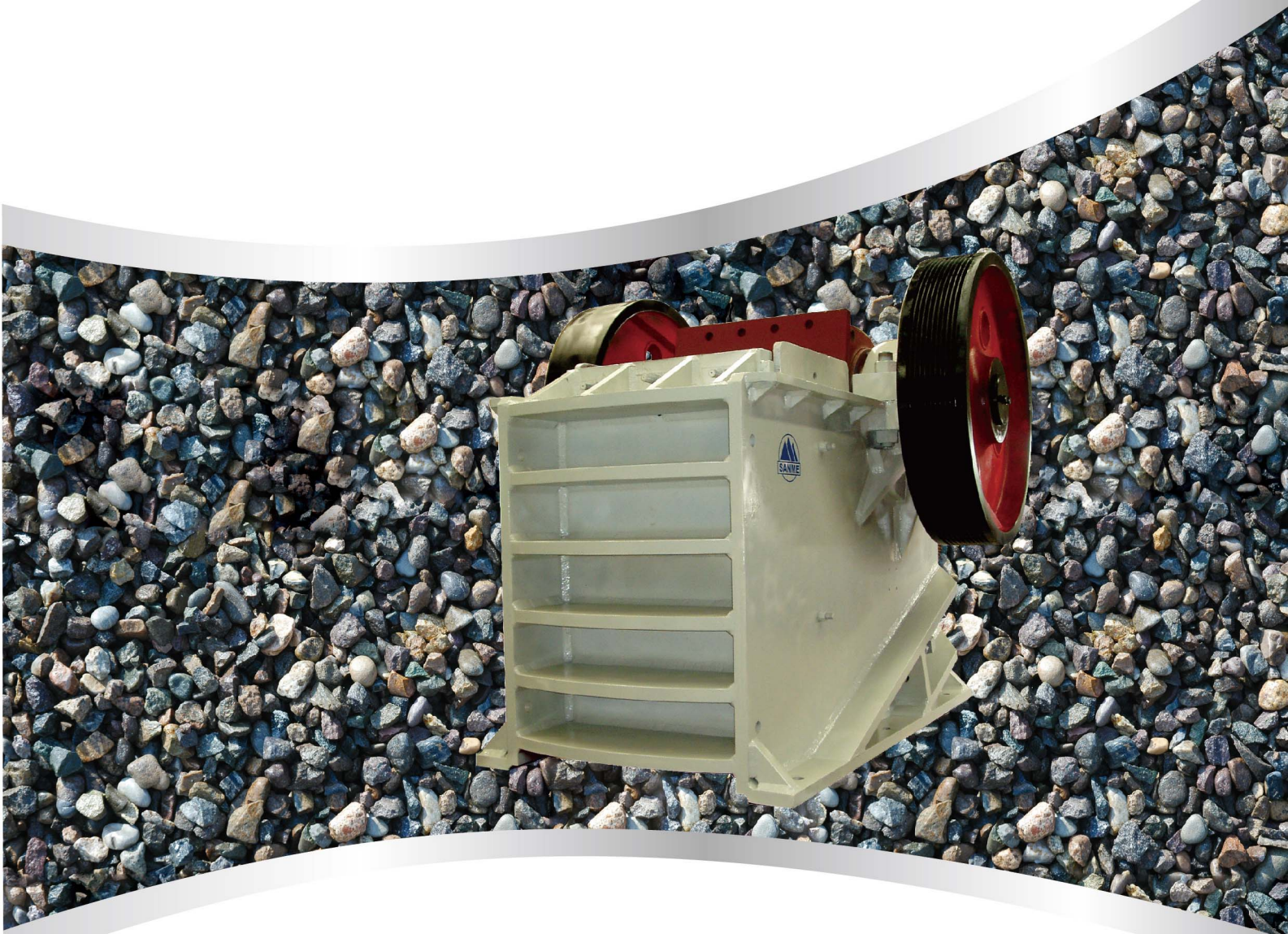


SANME

PE.PEX系列颞式破碎机

PE . PEX Series Jaw Crusher



上海山美重型矿山机械有限公司 (德国哈兹马克合资公司)
SHANGHAI SANME MINING MACHINERY CO., LTD. (JV WITH HAZEMAG GERMANY)

PE.PEX系列颚式破碎机 *PE . PEX Series Jaw Crusher*



PE、PEX系列颚式破碎机破碎比大、产品粒度均匀。用于破碎抗压强度不超过320Mpa的物料。PE系列用于粗碎，PEX系列用于中、细碎。

PE,PEX Series Single Toggle Jaw Crusher has the features of great crushing ratio,uniform sizes of promance. It can be used to crush material its compressive resistance not more than 320 Mpa. PE series is used in primary crushing, PEX series is used in secondary crushing and fine crushing.

特点及优势:

- ⊙结构简单、工作可靠
- ⊙维修方便、运行费用经济

Features and Benefits:

- ⊙ Simple structure and reliable operation
- ⊙ Convenient maintenance and low operation cost

技术参数 *Technical Data*

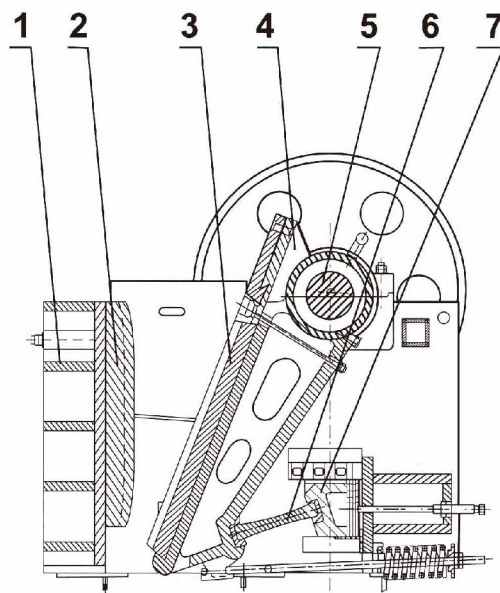
型号 Model	进料尺寸 Size of Feed Opening(mm)	最大进料粒度 Max Feed Size(mm)	排料口调整范围 Discharge Range Opening(mm)	处理能力 Capacity(m ³ /h)	电机功率 Motor Power(kw)	重量 Weight(t)
PE-400×600	400×600	340	40-100	10-35	30	6.5
PE-500×750	500×750	425	50-100	25-60	55	10.6
PE-600×900	600×900	500	65-180	30-85	55-75	15.5
PE-750×1060	750×1060	630	80-180	72-150	90-110	28
PE-800×1060	800×1060	680	100-200	85-143	90-110	30
PE-870×1060	870×1060	750	170-270	145-235	90-110	30.5
PE-900×1200	900×1200	780	95-225	100-240	110-132	49
PE-1000×1200	1000×1200	850	195-280	190-275	110-132	51
PE-1200×1500	1200×1500	1020	150-300	250-500	200	89
PEX-250×1000	250×1000	210	25-60	10-32	30-37	6.5
PEX-250×1200	250×1200	210	25-60	13-38	37	7.7
PEX-300×1300	300×1300	250	20-90	10-65	75	11

注：处理能力为加工中硬物料、破碎物料松散密度为 $1.6 \times 10^3 \text{kg/m}^3$ 时的数据。

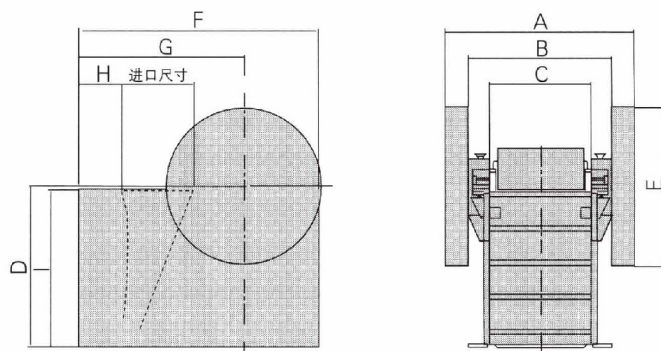
Note: The processing capacity is described on the basis of data about processing mid-hard materials and the bulk density of crushed materials is 1.6t/m^3 .

结构图 *Structural Drawing*

1. 机架 Frame
2. 固定颚板 Fixed Jaw Plate
3. 活动颚板 Movable Jaw Plate
4. 动颚 Movable Jaw
5. 偏心轴 Eccentric Shaft
6. 肘板 Toggle
7. 调整板 Adjusting Toggle Seat



外形尺寸 *Overall Dimensions*



外形尺寸(mm): *Overall Dimensions*

型号 Model	A	B	C	D	E	F	G	H	I
PE-400×600	1732	1110	636	1105	962	1565	955	255	990
PE-500×750	1916	1256	820	1270	1200	1890	1370	435	1185
PE-600×900	1840	1400	960	1540	1515	2305	1590	390	1505
PE-750×1060	2472	1820	1060	2010	1660	2450	1850	530	1980
PE-800×1060	2556	1780	1060	1970	1660	2610	2010	585	1840
PE-870×1060	2556	1780	1060	1970	1660	2660	2060	585	1840
PE-900×1200	3182	1976	1200	2125	1800	3335	2155	830	2530
PE-1000×1200	3182	1976	1200	2125	1800	3435	2255	830	2530
PE-1200×1500	3732	1780	1620	2700	2285	4200	2940	970	3480
PEX-250×1000	1992	1500	1010	930	900	1530	905	330	850
PEX-250×1200	2192	1700	1220	930	1000	1900	965	365	850
PEX-300×1300	2320	1840	1320	1110	1228	1750	1170	430	930



上海山美重型矿山机械有限公司 (德国哈兹马克合资公司)
SHANGHAI SANME MINING MACHINERY CO., LTD. (JV WITH HAZEMAG GERMANY)



地址：上海市奉贤区青村镇奉村路 258 号
电话：021-5756 6166 021-5820 2968
传真：021-5756 6188 021-5820 0089
邮编：201414
网址：www.shsmzj.com
电邮：info@sanmecrusher.com

Add: No.258, Fengcun Road, Qingcun County,
Fengxian District, Shanghai 201414, China
Tel: +86 21 5756 6166 +86 21 5820 2968
Fax: +86 21 5756 6188 +86 21 5820 0089
Website: www.sanmecrusher.com
E-mail: sales@sanmecrusher.com

◎我们的产品不断的更新和改进中，我们保留在未事先告知用户的情况下，更改参数及设计的权利。

Our products are constantly updated and improved, we reserve the right to change parameters and design without advance notification of customers.

◎照片中产品外观颜色与实际机型存在差异，颜色标准以实物为准。

If there are any discrepancy and difference between color of product appearance and actual machine type in the picture, color standard is subject to actual object.

◎本手册中的配置不一定是出厂标准配置，购买时请详细咨询经销商。

Specifications and design in the brochures are not always the standard. Please consult our dealers or distributors particularly when purchasing.